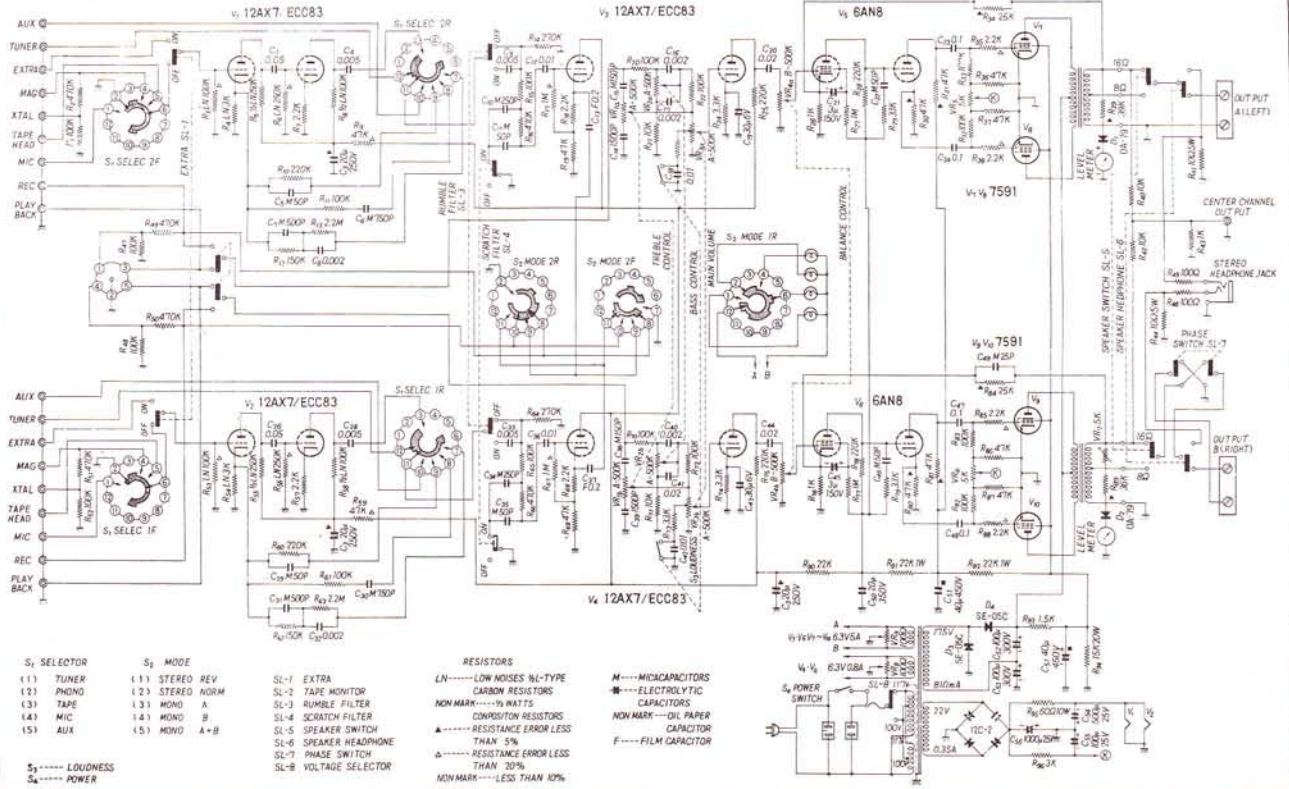


# SM-801



- S<sub>1</sub> SELECTOR**
- (1) TUNER
  - (2) PHONO
  - (3) TAPE
  - (4) MIC
  - (5) AUX
- S<sub>2</sub> MODE**
- (1) STEREO REV
  - (2) STEREO NORM
  - (3) MONO A
  - (4) MONO B
  - (5) MONO A+B

- SL-1 EXTRA**
- SL-2 TAPE MONITOR
  - SL-3 RUMBLE FILTER
  - SL-4 SCRATCH FILTER
  - SL-5 SPEAKER SWITCH
  - SL-6 SPEAKER HEADPHONE
  - SL-7 PHASE SWITCH
  - SL-8 VOLTAGE SELECTOR

- RESISTORS**
- LN-----LOW NOISES  $\frac{1}{2}$ -TYPE CARBON RESISTORS
  - NON MARK-----WATTS
  - ▲-----RESISTANCE ERROR LESS THAN 5%
  - △-----RESISTANCE ERROR LESS THAN 20%
  - NON MARK-----LESS THAN 10%

- M-----MID-CAPACITORS**
- ◆-----ELECTROLYTIC CAPACITORS
  - NON MARK-----OIL PAPER CAPACITOR
  - F-----FILM CAPACITOR

S<sub>2</sub>-----LOUDNESS  
S<sub>4</sub>-----POWER